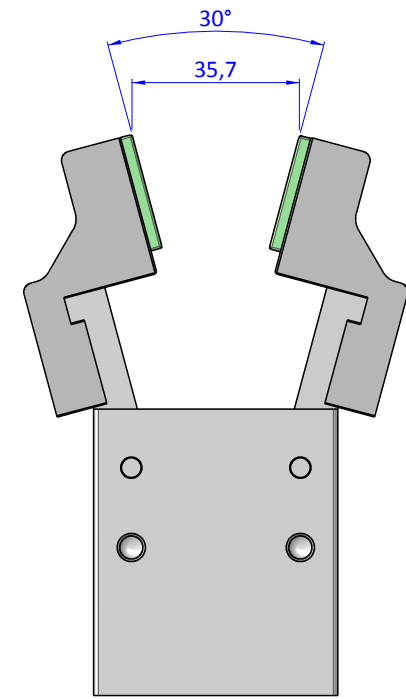
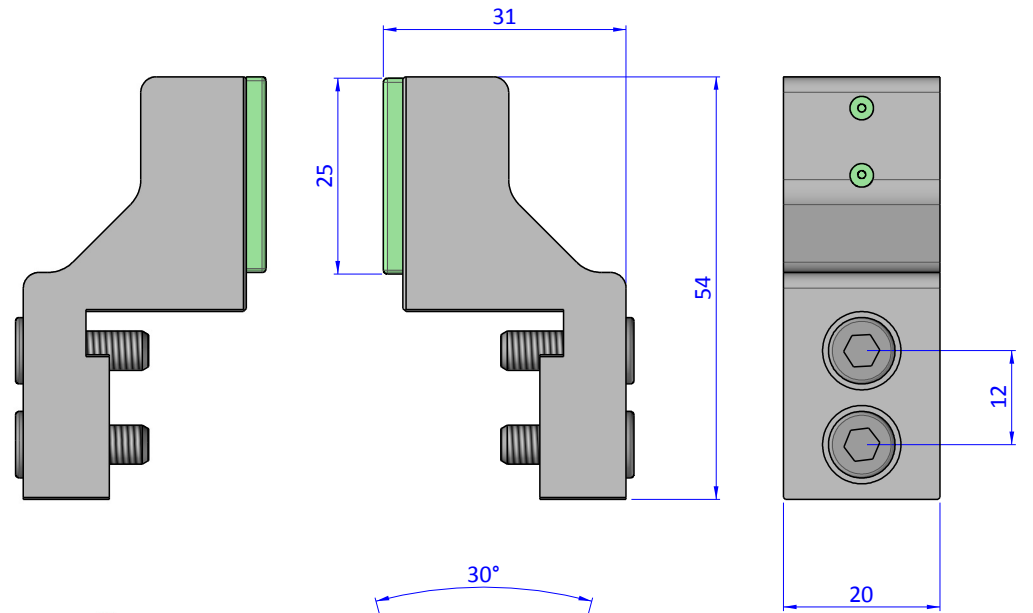
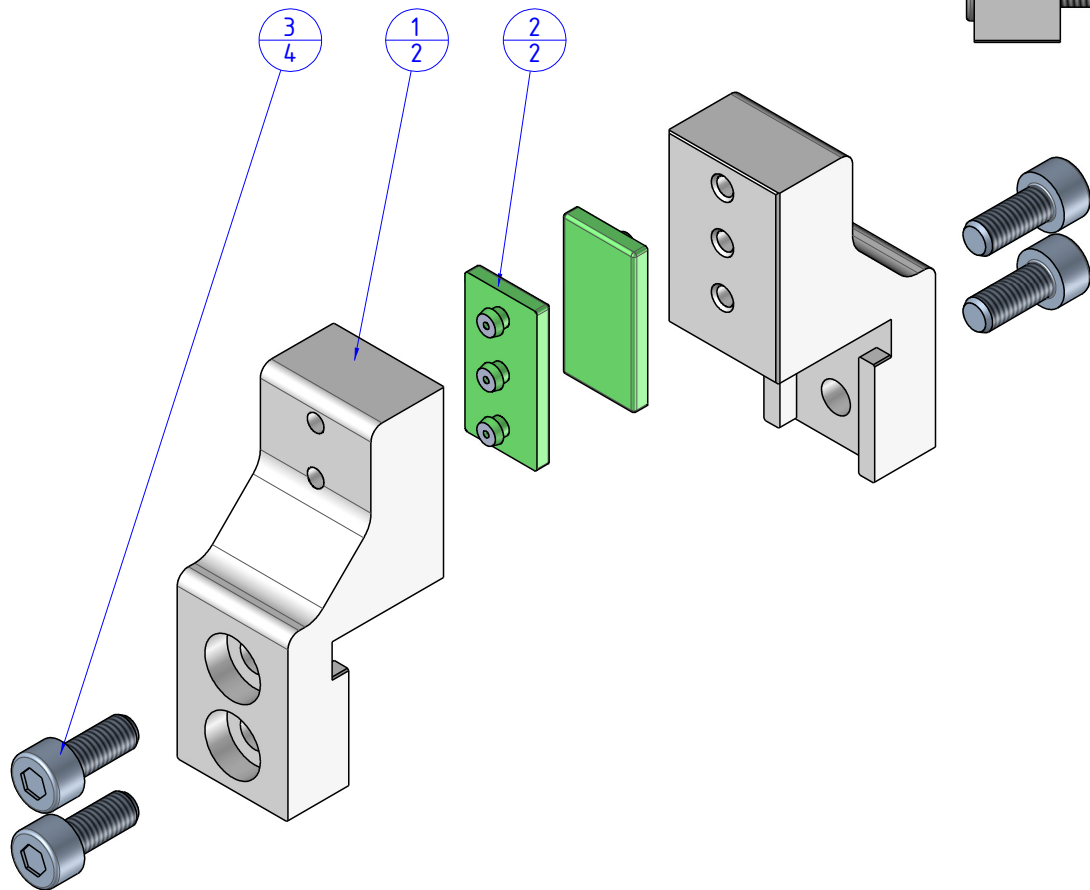


THE PROPERTY OF THE DRAWING IS ESTABLISHED BY LAW. IT IS FORBIDDEN TO PRODUCE OR SHOW IT TO THIRD PARTY, WITHOUT A WRITTEN AGREEMENT.

Item	Name	Q.ty
1	KB.25.CGA	2
2	PAC.20.16P.03.V1	2
3	VTCE5x12	4



Format A3

UNI 936-76

		DESIGNED FROM	REVIEW
		FP SERVICES	A / 11
GENERAL TOLERANCE	DESCRIPTION	DATE	WEIGHT
UNI - ISO 2768	CA.KB.25.CGA	26/09/2018	0,092kg
CLASSE f		CODE	CA.KB.25.CGA